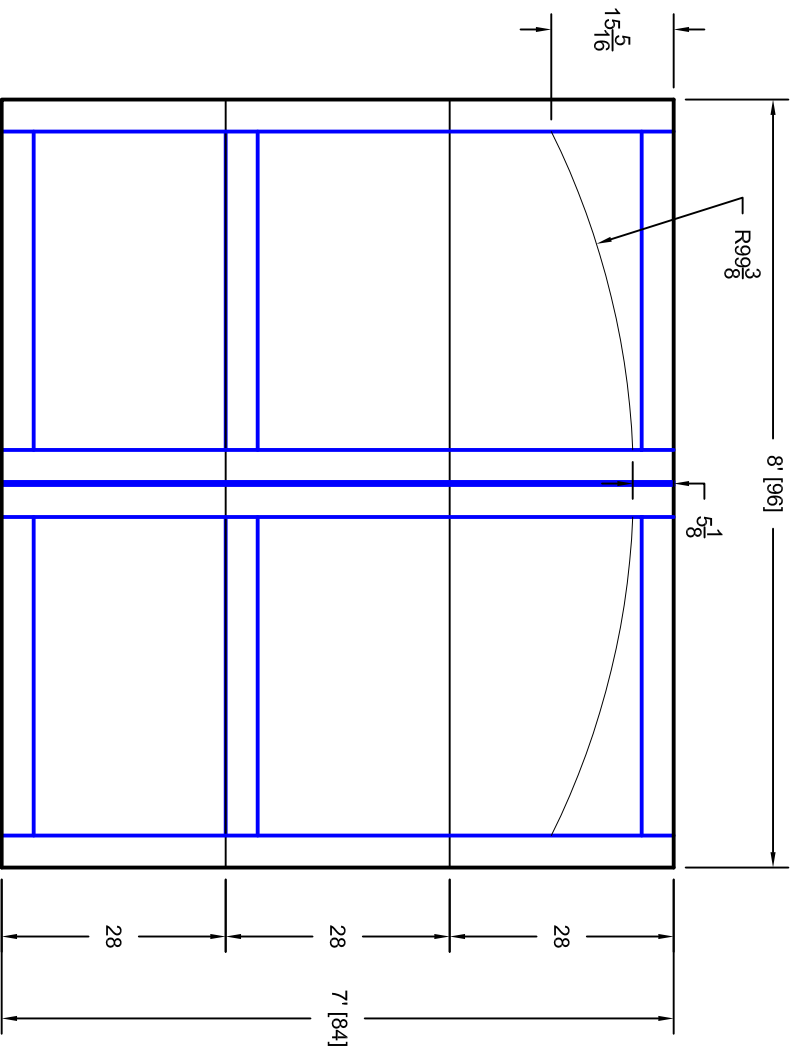


- Note:
1. Overlay board material: Steel.
  2. Arch material: Molded Polyurethane
  3. Overlay board width: 4 inches.
  4. Customer responsible to verify all field dimensions.



CUSTOMER APPROVAL REQUIRED FOR  
MANUFACTURING

X \_\_\_\_\_

DRAWN BY	E Gebhard 01-05-05	TITLE	Pinehurst w / Large Solid Arch Top	
CHECKED		SIZE	P11 8' X 7'	
DATE		SCALE	A	
APPD		WT. ACT.	7P087011	
DATE		SHEET	A	
APPD		REV	A	
DATE		Unless Otherwise Specified	Dimensions are in Inches	
APPD		Tolerance on	Fractions Decimals Angles	
DATE		+/- 1/16	X.X +/- .03 +/- 0.5	
APPD		X.XX +/- .01	X.XXX +/- .005	
DATE		X.XXX +/- .005		
		7255 S. KYRENE SUITE #104 TEMPE, AZ 85283 480-705-6632 480-705-8497 fax www.firstudt.com		