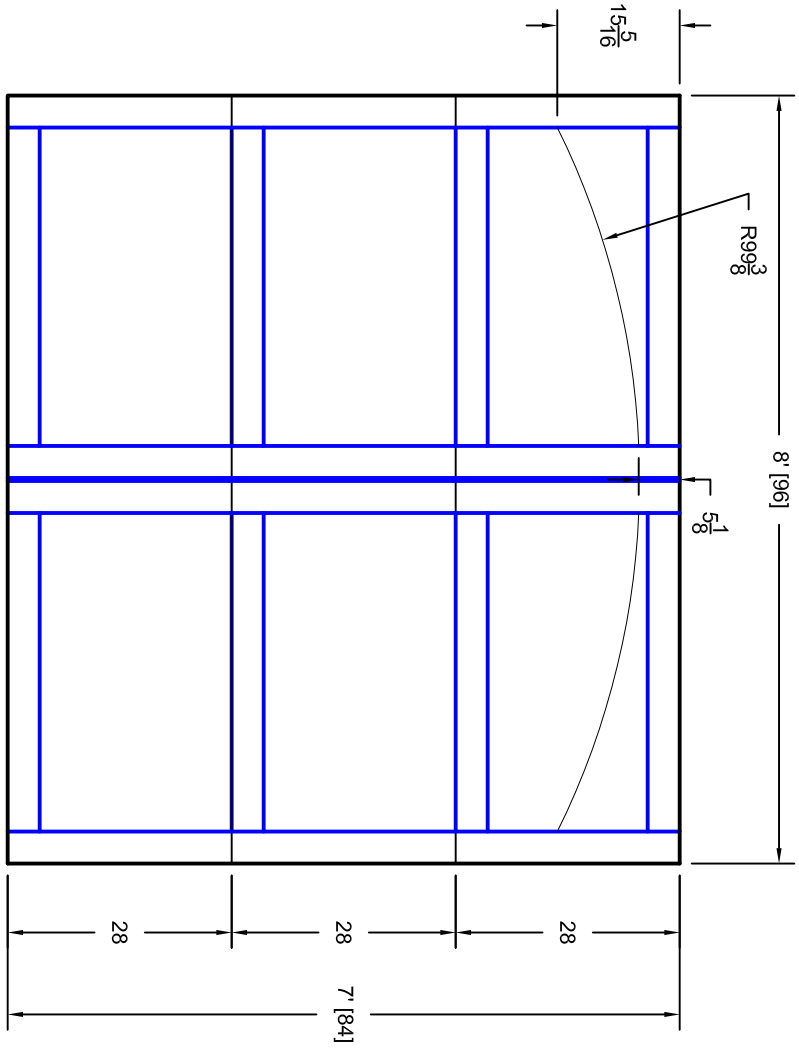


- Note:
1. Overlay board material: Steel.
 2. Arch material: Molded Polyurethane
 3. Overlay board width: 4 inches.
 4. Customer responsible to verify all field dimensions.



CUSTOMER APPROVAL REQUIRED FOR MANUFACTURING

X _____

DRAWN BY	E Gebhard 01-05-05	TITLE	Sage Creek w / Large Solid Arch		
CHECKED			Top S11 8' X 7'		
DATE		SIZE	A		
APPD		SCALE	WT. ACT. SHEET		
DATE		REV	A		
APPD			7S087011		
DATE					
APPD					
DATE					

Unless Otherwise Specified
Dimensions are in Inches

Tolerance on

Fractions	Decimals	Angles
+/- 1/16	XX +/- .03	+/- 0.5
	XXX +/- .01	
	XXXX +/- .005	

7255 S. KYRENE
SUITE #104
TEMPE, AZ 85283
480-705-6632
480-705-8497 fax
www.firstudt.com