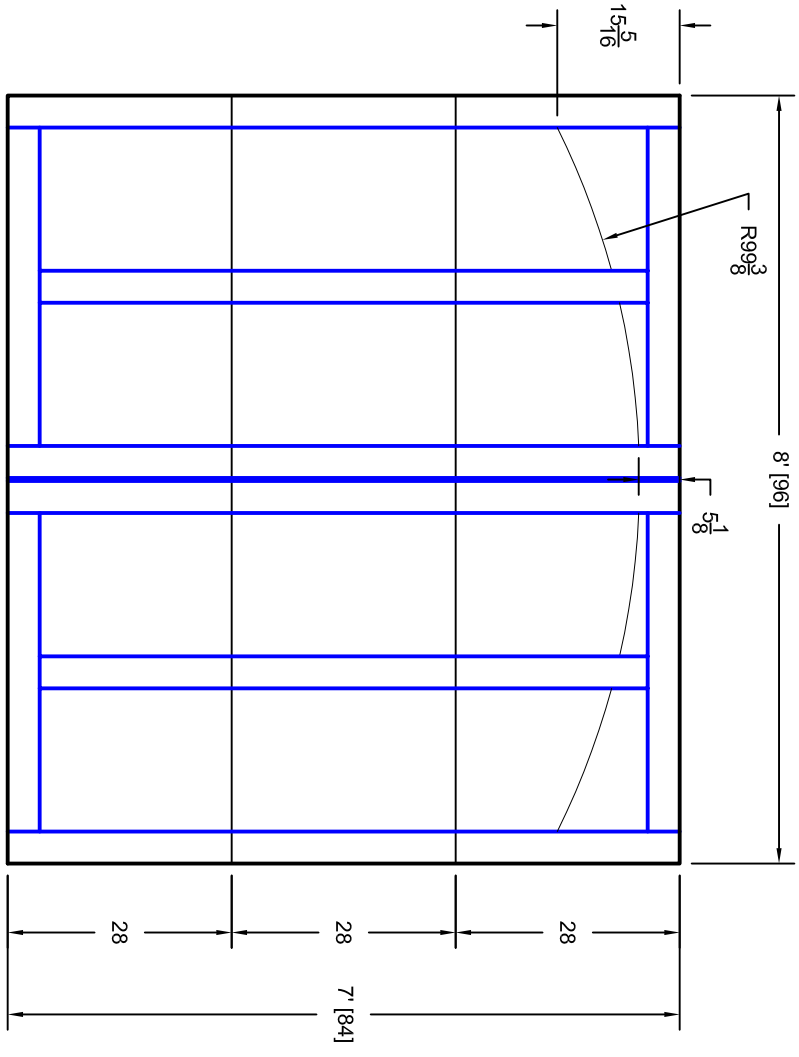


- Note:
1. Overlay board material: Steel.
 2. Arch material: Molded Polyurethane
 3. Overlay board width: 4 inches.
 4. Customer responsible to verify all field dimensions.



CUSTOMER APPROVAL REQUIRED FOR MANUFACTURING

X _____

| | | | | | |
|----------|--------------------|----------|---|---|--|
| DRAWN BY | E Gebhard 01-05-05 | TITLE | Sage Creek w / Small Solid Arch | | |
| CHECKED | | | Top S12 8' X 7' | | |
| DATE | | SIZE | A | | |
| APPD | | SCALE | A | | |
| DATE | | WT. ACT. | 7S087012 | | |
| APPD | | SHEET | A | | |
| DATE | | | Unless Otherwise Specified Dimensions are in Inches Tolerance on Fractions Decimals Angles +/- 1/16 X.X +/- .03 +/- 0.5 X.XX +/- .01 X.XXX +/- .005 | | |
| | | | | 7255 S. KYRENE SUITE #104 TEMPE, AZ 85283 480-705-6632 480-705-8497 fax www.firstudt.com | |